

ASSEMBLING & INSTALLATION INSTRUCTIONS PRODUCT# 1631 1632 1633 1634 1635 For Wall Mount Fixture

WARNING! SHUT POWER OFF AT FUSE OR CIRCUIT BREAKER .

MOUNTING THE FIXTURE

Installation (see fig.1)

1. Disconnect power at main electrical panel before installation.
2. Drill two holes in the wall, distance and the same distance from the keyhole of mounting plate. Attach the mounting plate to the wall, aligning the plastic anchors and junction box, lock it securely with the two wood screws and the two box screws. The side of the mounting plate marked "GND" must face out.
3. Guide fixture wires through hole in center of mounting plate.
4. Follow wiring instructions carefully (see fig.2)
5. Place the fixture body(B) over the mounting plate, aligning the backplane holes with screw hole of the mounting plate in side, then lock it securely with mounting screws.
6. **Install the light bulbs(A) in accordance with the fixture's specifications ("A" , THE LIGHT BULB WITH A CLEAN COTTON CLOTH TO WRAP THE GLASS SHELL). DO NOT EXCEED THE MAXIMUM WATTAGE RATING!**
7. Raise the crystal string(C) hanging at both ends hole of the shade.

Wiring (see fig.2)

1. Connect the electrical wires as follows. Connect the Black wire from the fixture to the black house (hot) Wire. Connect the white wire from the fixture to the white (neutral) house wire. Make sure all wire nuts are secured. You may wrap the connections with electrical tape. If your outlet box has a ground wire (green or bare copper) connect fixture's ground wire to it. Otherwise attach the bare copper fixture wire to the green ground screw on the mounting plate.
2. Tuck the wire connections neatly into the wall junction box.

Fig.1

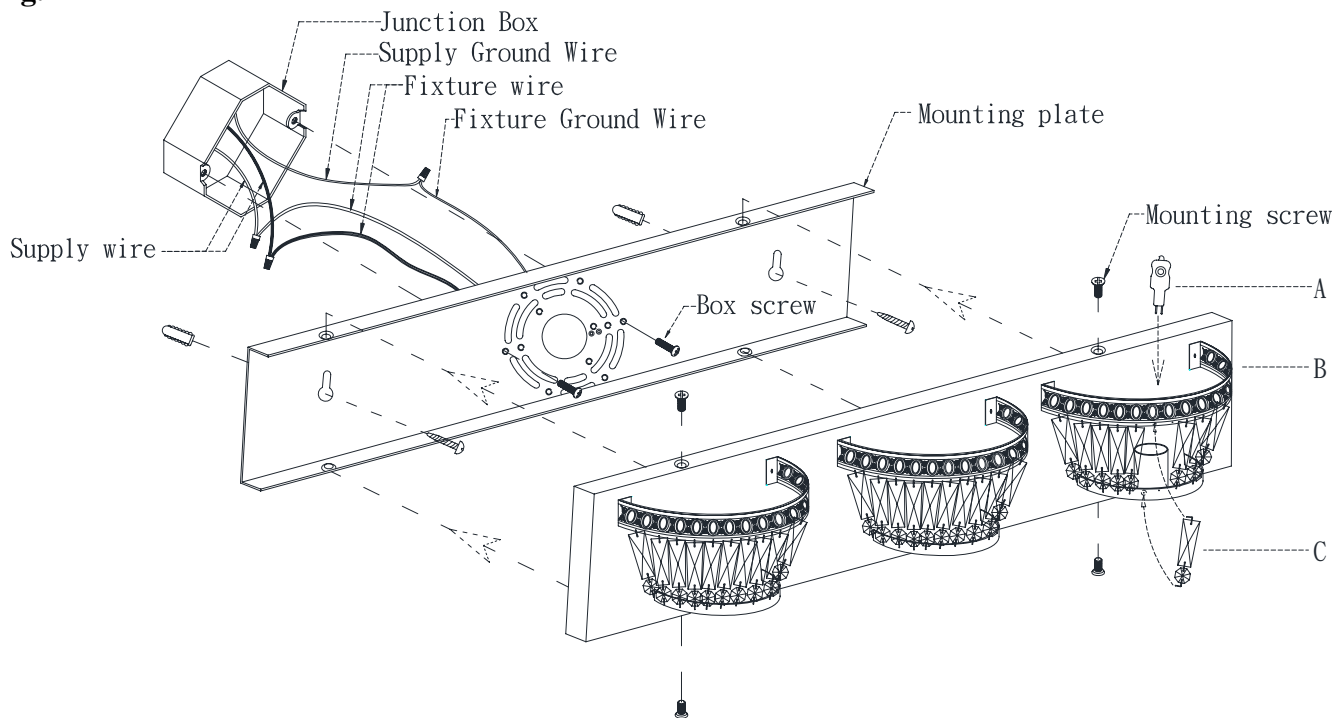





Fig.2

| | | | | | |
|--|------------------------------------|--|--|---|--|
| <p>FIXTURE WIRES Black or Smooth</p>  | <p>HOUSE WIRES Black (Hot)</p> | <p>FIXTURE WIRES White or Ribbed</p>  | <p>HOUSE WIRES White (Neutral)</p> | <p>FIXTURE WIRES Bare Copper (Ground)</p>  | <p>HOUSE WIRES Green or Bare Copper (Ground)</p> |
|--|------------------------------------|--|--|---|--|

**LIVEX[®]
LIGHTING**