

ASSEMBLING & INSTALLATION INSTRUCTIONS PRODUCT# 6460

For mini Pendant Fixture

WARNING! SHUT POWER OFF AT FUSE OR CIRCUIT BREAKER .

ASSEMBLING THE FIXTURE (Fig.1)

1. Shut off the power at the circuit breaker box. Remove old fixture and all hardware from Junction Box.
2. Carefully unpack your new fixture and lay out all the parts on a clear area. Take care not to lose any small parts necessary for installation.
3. Thread pipe (D) onto the swivel bottom of canopy (B), thread tube (E) and (F) onto nipple in order. Then thread them onto nipple with the socket assemble (G).
5. Raise the glass shade (H) and collar ring(I) to bottom of the socket(G),lock it securely with ring (J) until sung.
6. Thread the two studs (A) into the pre-drilled holes in the Mounting strap spaced the same distance apart as the holes in the canopy (B).
7. Attach the Mounting strap to the Junction Box with the two Junction Box Screws as shown. The side of the Mounting strap marked "GND" must face out.
8. While holding the column assembly towards the ceiling , connect the electrical wires as Shown in Fig.2, making sure that all wire nuts are secured. You may have to wrap the connections with electrical tape. If your outlet has a ground wire (green or bare copper), connect the fixture ground wire to it. Otherwise connect fixture's ground wire directly to the Mounting strap with the green screw provided. After wires are connected, tuck them carefully inside the Junction Box.
9. Put canopy (B) on to the outlet box, aligning screws on mounting strap with mounting holes in canopy and lock it securely with ball nut (C).
10. Install the light bulbs in accordance with the fixture's specifications.

NOTE: DO NOT EXCEED THE SPECIFIED WATTAGE.

Your installation is now complete Return power to the junction box and test the fixture.

Fig.1

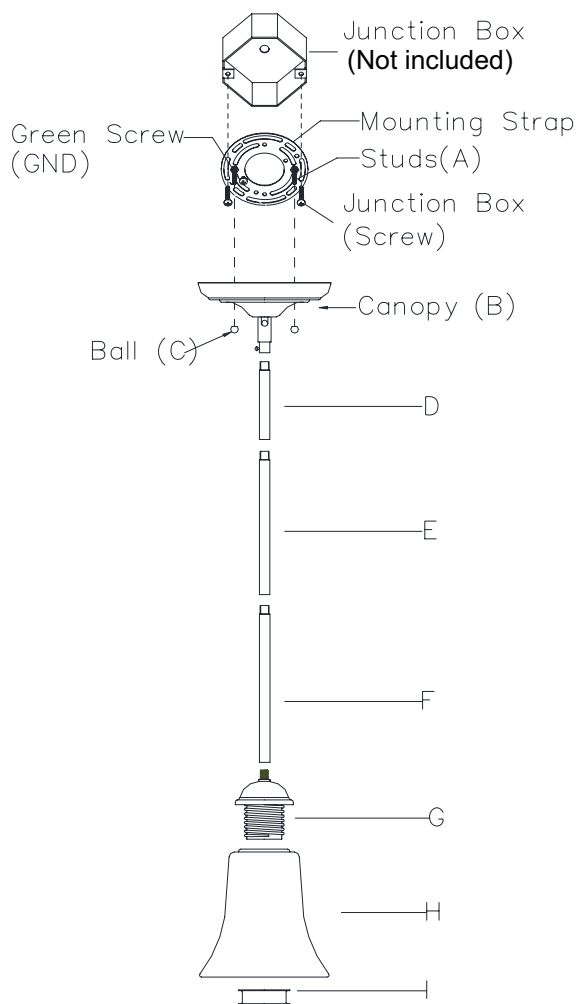


Fig.2

