



## ASSEMBLING & INSTALLATION INSTRUCTIONS

The drawing shown may not exactly match the product enclosed.  
However, the installation instructions do apply to this product.

2035 27377 2037 27378

- ◆ **WARNING! SHUT POWER OFF AT FUSE OR CIRCUIT BREAKER.**
- ◆ **ATTENTION! COUPER LE COURANT AU FUSIBLE OU UN DISJONCTEUR.**

### ASSEMBLING THE FIXTURE (Fig.2)

1. Raise the talon(B) to the bottom of lamp body(D), aligning holes with the thread holes, lock it securely with the screws(A). Slip the threadlike bolt of the lamp body(D) at side, open the window. Put the candle sleeve(C) over the lamp holder.
2. Install the light bulbs(not included) in accordance with the fixture specifications.  
**NOTE: DO NOT EXCEED THE SPECIFIED WATTAGE!** Close the window.

### HANGING THE FIXTURE (Fig.1)

1. Shut off the power at the circuit breaker and remove old fixture from ceiling, including the old crossbar. Carefully unpack new fixture and lay all the parts on a clear surface.
2. Attach the mounting screw part way into the side hole of the crossbar, then lock it securely with hex nut until becoming. Attach the crossbar to the junction box using two box screws as shown. **The side of the crossbar marked "GND" must face out.**
3. Using proper chain pliers to open one end link of the chain provided and connect to the fixture loop. Close the link.
3. By measuring, determine correct number of links needed for proper hanging height. Using proper chain pliers disconnect and discard remaining chain.
4. Lace the fixture wires through the chain.
5. Open the other end link of the chain and hang the fixture on the loop at the ceiling. Close the link.
6. Feed the fixture wires through the loop of the canopy and pull until taut.
7. Slide canopy up flush to ceiling, lock it securely with ball nuts.

### CONNECTING THE WIRES (Fig.3)

1. Take the black wire from the ceiling junction box and the smooth wire leg from the fixture and twist bare ends together. Twist wire connector onto end of wire until snug.
2. Repeat same process with white junction box wire and ribbed wire leg of fixture wire. **NOTE:** Twist wires together in the same direction you twist the wire connector onto wires.
3. If your junction box has a grounding wire (green or bare copper), attach this wire and the bare copper wire from the fixture together as step 1. If junction box has no ground wire, attach the bare copper fixture wire to the green ground screw on the crossbar.
4. Tuck these wire connections neatly into the ceiling outlet box and then raise the canopy all the way to the ceiling, lock it securely with ball nuts.

**Your installation is now complete. Return power to the junction box and test the fixture.**

FIG. 2

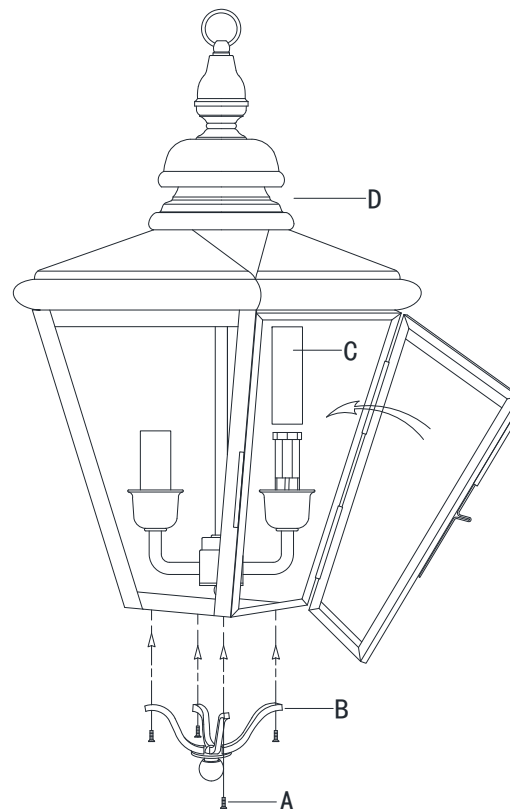


FIG.1

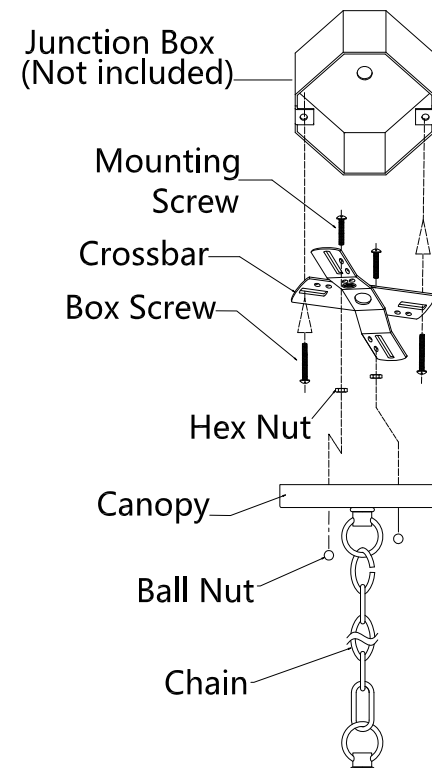
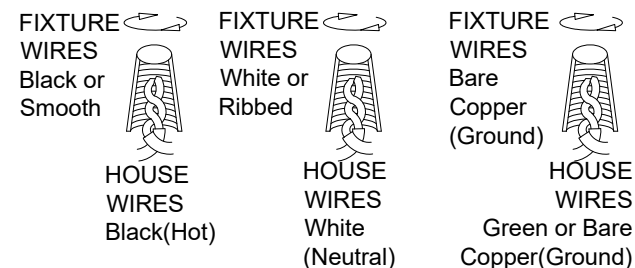


FIG.3



Thank you for purchasing a **LIVEX** product.  
Need assistance with parts or assembly? Please call customer service at: **800-761-8056**  
Or visit us on-line at: [WWW.LIVEXLIGHTING.COM](http://WWW.LIVEXLIGHTING.COM)